

MUTOH
MAKES IT POSSIBLE

ECO-SOLVENT PRINTER



XpertJet

1682SR

BUILT FOR PROFESSIONALS

The "XpertJet 1682SR 64" Eco-Solvent Printer from Mutoh has a staggered dual-head design that provides ultra-fast print speeds. It's capable of producing smooth gradations while delivering high-quality printing even with reduced resolution thanks to the 7-color ink configuration (CMYK Lc Lm Lk). The newly designed platform is packed with features like automatic bi-directional alignments, a user-friendly touch panel, added LED lighting, and an upgraded media feed flange that allows operators to easily and quickly load media and exchange multiple rolls. These features are designed to increase user-friendly operation and maintenance while continuing to offer high production, high-quality output. The "XPJ" 1682SR is paired with Mutoh's "MS41" Eco-Solvent ink, which offers users a larger color gamut, outstanding durability, and improved dot gain.



WRAPS



SIGNAGE



POSTERS



BANNER

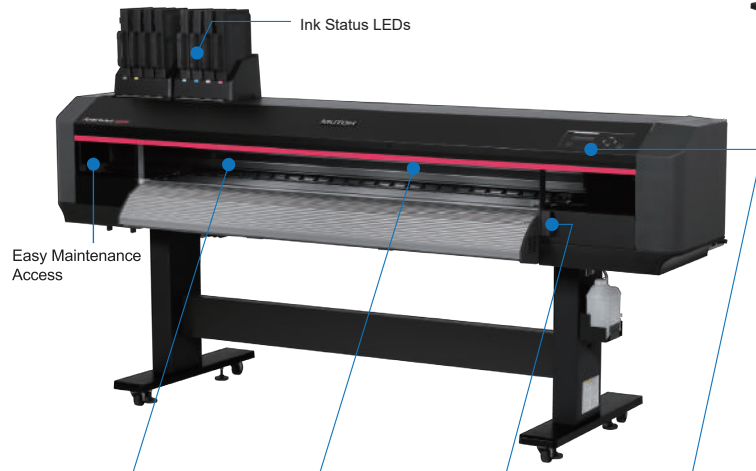
XpertJet 1682SR

EXPERTLY CRAFTED & USER-FRIENDLY

All New Platform Ensures Easy Maintenance, Usability and Quality



Newly developed media flange



High Precision Aluminum Rail Mechanism



Internal LED lighting



Multi-stage pressurizing mechanism



LED operation panel

NEW INK SET

UPGRADED TOUCH PANEL

NEW MEDIA HANDLING

AUTOMATIC ALIGNMENTS

INTERNAL LED LIGHTING

www.MUTOH.com | 1-800-99MUTOH



- High Precision Aluminum Rail Mechanism for high quality and stable printing.
- Improved "Media Feed Mechanism" corresponding to a wide range of media.
- New 7 Color Eco-Solvent Ink provides high image quality and high productivity.
- The built-in color sensor achieves "Automatic Bi-Directional Alignments".
- The Newly Developed Media Flange allows for easy media loading.
- MSM (MUTOH Status Monitor) improved convenience and response.
- Upgraded Operation Panel with LED guide function.
- Front Access of Ink Cartridge Holders, LAN cable and power codes.
- Internal LED Lighting enable operator to easily check print status.

XpertJet		XPJ-1682SR
Print head	Print method	On-demand piezo drive system
	Head Height	Three-level adjustment of Low 1.5mm, Mid. 2.5mm, and High 4.0mm
	Number	2 staggered
Media	Width	Maximum 64 in / Minimum 20in
	Max. thickness	Low: 0.3 mm Mid: 1.3 mm High: 2.8 mm
	Diameter	6 in or less
	Tube diameter	2 inches or 3 inches
	Weight	66 lbs. or less
Maximum print width		63.6 in
Maximum print length		4921 ft
Ink	Type	Eco-Solvent ink
	Colour	4-color (K·C·M·Y) / 7-color (K·C·M·Y·Lc·Lm·Lk)
	Amount	1000ml ink bag
Print resolution		Max.1440dpi
interface		Gb-Ethernet (1000BASE-T)
Power supply	Printer	Voltage: AC 100V~120V ±10% / AC 200V~240V ±10% Frequency: 50/60Hz ±1Hz
	Heater	Voltage: AC 100V~120V ±10% / AC 200V~240V ±10% Frequency: 50/60Hz ±1Hz
Environment condition	Printer Operation	Temperature: 68°F~89.6°F Humidity: 40%~60% No condensation
	Accuracy Guaranteed	Temperature: 71°F~86°F Humidity: 40%~60% No condensation
Power consumption	Operation	AC100V-120V±10% / AC200V-240V±10%, 1100W or below
	Sleep Mode	AC100V-120V±10% / AC200V-240V±10%, 30W or below
External dimensions (W) x (D) x (H)		body: 108 in x 35 in x 56 in (cover closed), 60 in (cover opened) / (when installing ink bag cases: 63.5 in)
Weight		Main body: 322 lbs. Stand: 70.5 lbs.
RIP software		FlexiSIGN & PRINT MUTOH Edition